



ARMADA

DRAKKAR RB



PASSENGER CAPACITY
10-14 PEOPLE



LOAD CAPACITY
1965-2816 LB



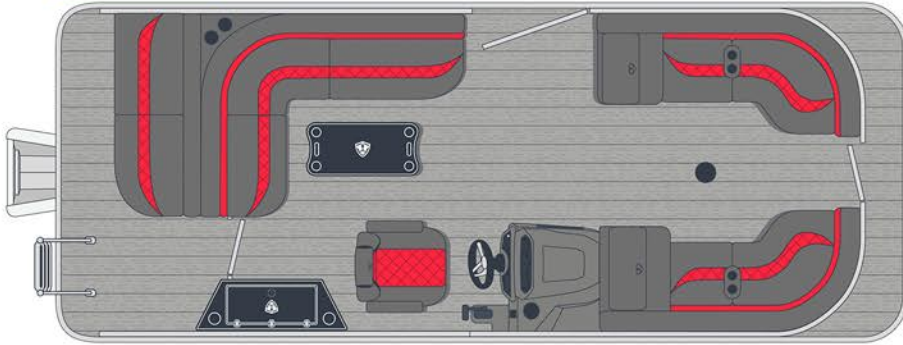
MAX. POWER
115-250 HP

WWW.ARMADAMARINEUSA.COM

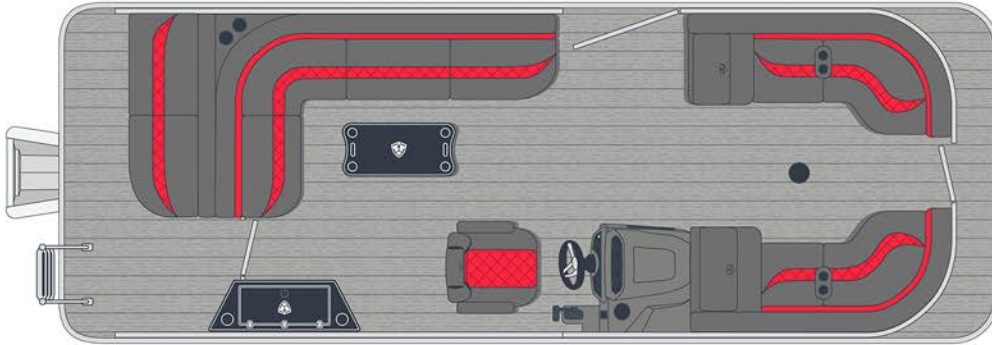
DRAKKAR RB

21, 23 & 25 FEET AVAILABLE

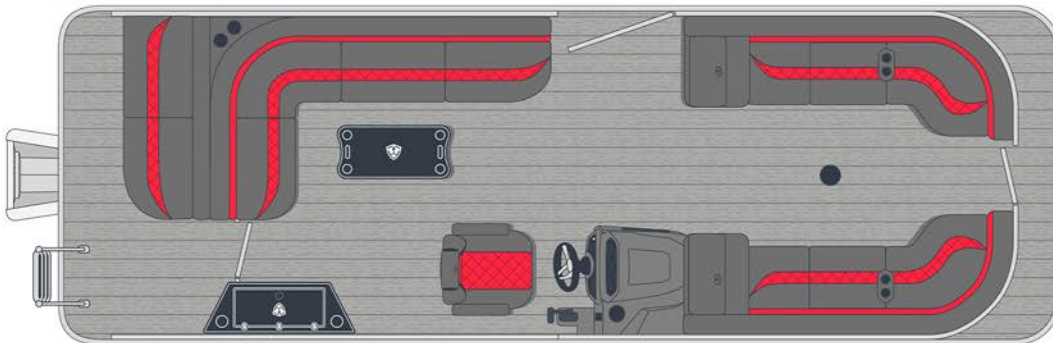
21 RB



23 RB



25 RB



CONFIGURATION
STANDARD, SPORT
PERFORMANCE



WWW.ARMADAMARINEUSA.COM

FURNISHINGS

- Premium furnishing with covered aluminum bases
- Two reclining benches at the front with removable drink holders and under-module storage
- 1 large swivel driver's captain chair with sliding arm
- Large "L" shaped bench seat with back-to-back benches facing and storage space under every modules
- Storage module behind the driver's seat
- Courtesy lights

CONSOLE

- Deluxe rotomould console with glove compartment and seadeck cover on floor
- Deluxe tilt steering wheel with NFB rotary mechanical driving system
- Switches and one 12-volts electrical outlet and one USB outlet
- Boss marine Bluetooth sound system 4 speakers

INSTRUMENTATION

- Fuel level indicator
- Speed indicator
- Motor tilt indicator (trim)
- Rotary NFB mechanical control system
- Tachymeter
- Voltmeter
- Electric horn

OTHER FEATURES

- Integrated 27 gallons fuel tank in the motor box
- Bimini rooftop (tube 1 ¼") with envelope
- Deluxe Seadek-covered front table (removable) with 4 glass holders

POPULAR OPTIONS

- Additional center tube with integrated motor box and Seastar unassisted hydraulic tilt steering system
- Additional center half-tube
- Underfloor underskin to minimize water noise under the pontoon (only with 3rd tube option)
- Ski locker floor compartment (only with 3rd tube option)
- Performance strakes for 3 tubes (only with 3rd tube option)
- Traction arch for ski/wake/tripe including reinforcement required
- Storage canvas (Mooring)
- Full campeur rooftop
- Dressing room built into front bench
- Induction cellular charger
- Longitudinal LED light under floor (battery not included)
- Rectangular stainless-steel BBQ with stand and cover

DRAKKAR RB



ARMADA



BLACK OUTER SHEET

The furnishing color schemes to match the black sheet metal of your Drakkar pontoon.

FURNISHINGS



WHITE OUTER SHEET

The upholstery color schemes to match the white sheet metal of your Drakkar pontoon.

FURNISHINGS



ICE BLUE OUTER SHEET

The Ice Blue option on black sheet metal automatically comes with the Ice Blue and Charcoal interior furniture color.

FURNISHINGS



COPPER OUTER SHEET

The Copper option on black sheet metal automatically comes with the Light gray and Charcoal interior furniture color.

FURNISHINGS

